

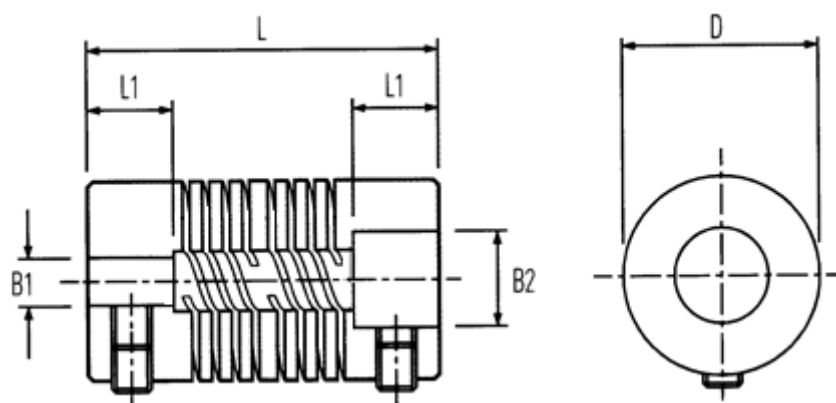
Data Sheet



Article number: 339706160000

Description: Multibeam 6 Coupling 706.16.0000
Aluminium relieved & set screw hubs

Measures



| | | |
|---------------------------|--------|-----------------------|
| B1: Pre-drilled | = 3.0 | Peak Torque NM = 3.40 |
| B2: Pre-drilled | = 6.00 | Set Screw = M4 |
| D | = 15.9 | |
| L | = 25.4 | |
| L1 | = 6.5 | |
| Max angular displacement | = 0.20 | |
| Max B1 & B2 | = 8.00 | |
| Max parallel displacement | = 5 | |